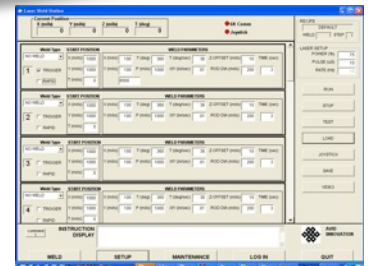
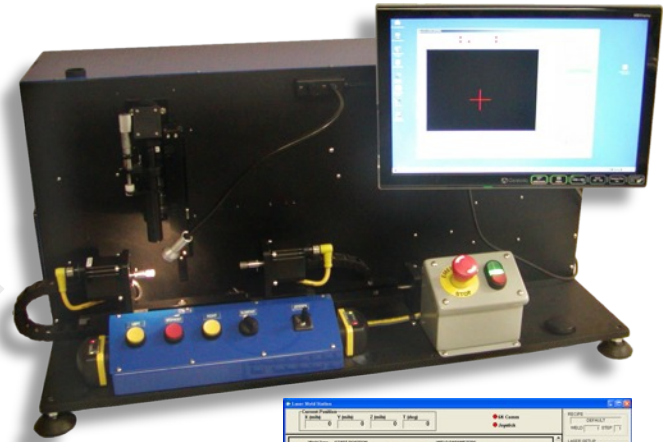




CO₂ Not Just for Global Warming Anymore



Hot Boxes and AutoBonders are nice, but when your catheter requires a really tough bond, you're gonna need help.

AVID Innovation's LB200 CO₂ laser bonder provides up to 10 watts of lasing power coupled with programmable control of process and motion variables. Dual electronically geared spindles, a CCD camera with alignment crosshairs and an intuitive touch screen interface ensure the LB200 is an easy to use, highly flexible bonding solution.

As with all AVID Innovation equipment, customization is possible to solve your particular application needs. Custom options include (but are not limited to) specific tooling, process development, pneumatic collets, recipe management system.

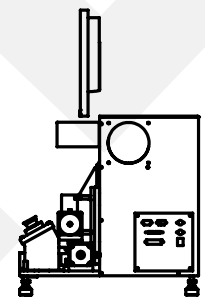
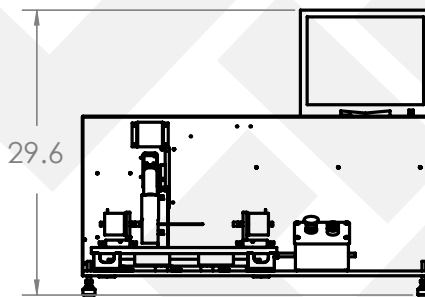
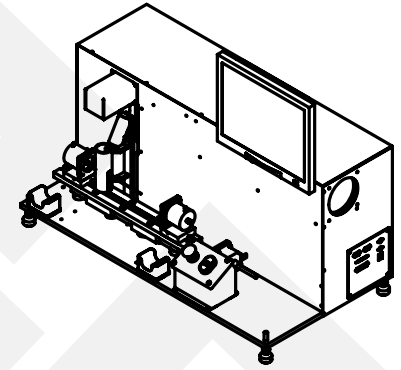
- Easy to operate push button and touch screen user interface
- Powerful recipe management system
- Programmable distances, rotational and translational speeds
- Easily modifiable process and motion parameters
- CCD alignment camera with crosshair
- Quick release clamp for fast production product changeovers
- Dual, electronically geared spindles
- 1-10W nominal laser output
- Options include custom tooling, process development, foot switch operation, pneumatic collets, recipe generation and recall for multiple bond types

AVID Innovation is a leading supplier of high quality, reliable and cost-effective equipment and machine solutions to the medical devices industry.

Visit our website to learn more about both our standard and customized automation solutions.

AVID Innovation

Dimensions (in):



Specifications:

Laser	10W Synrad 48 Series
Positional Travel, X axis	4"
Positional Accuracy	+/- 0.005"
Positional Repeatability	+/- 0.005"
Positional Travel, Theta axis	360 degrees
Electrical	110VAC, +/- 10%, 50/60 Hz, 15A
Dimensions	29.6" H (with monitor) x 36.0" W x 18.6" D
Weight	50 lbs